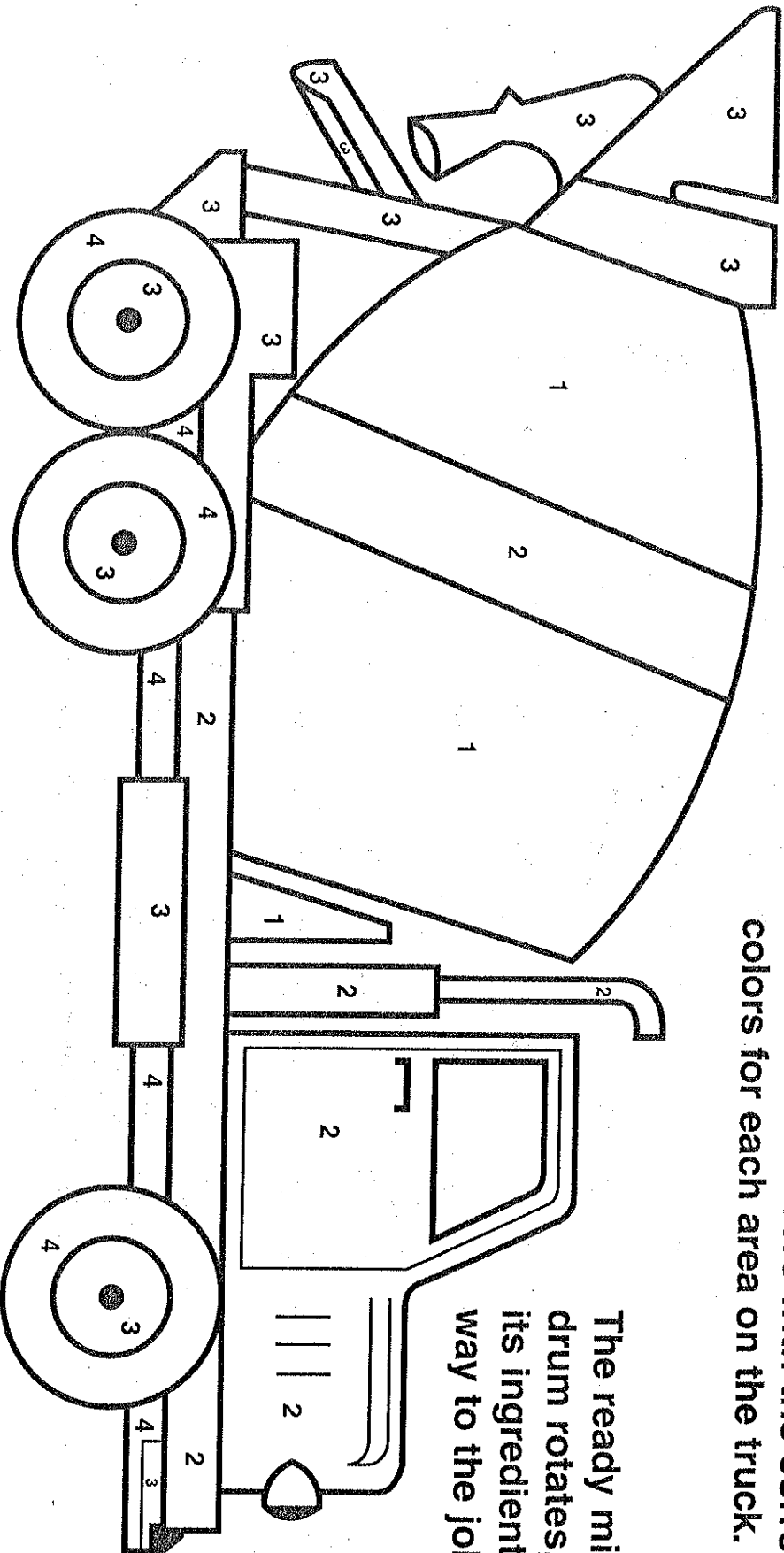


COLOR BY NUMBER

Match the numbers with the corresponding colors for each area on the truck.

The ready mix truck's drum rotates, mixing its ingredients on the way to the jobsite.



1 = red 2 = yellow 3 = blue 4 = black

+